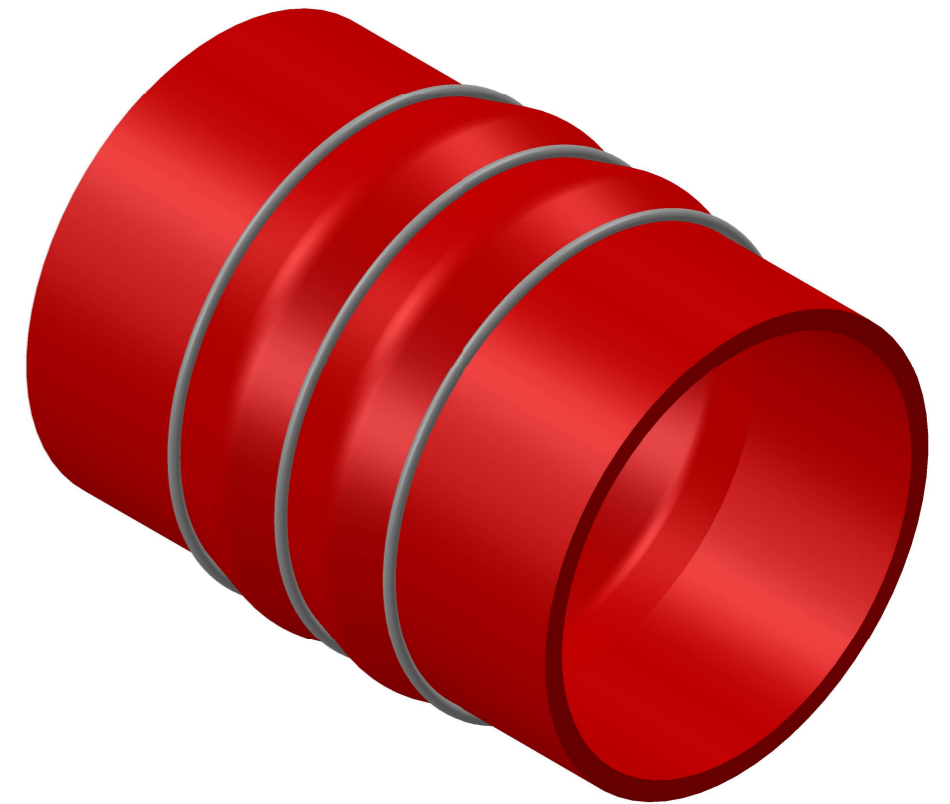
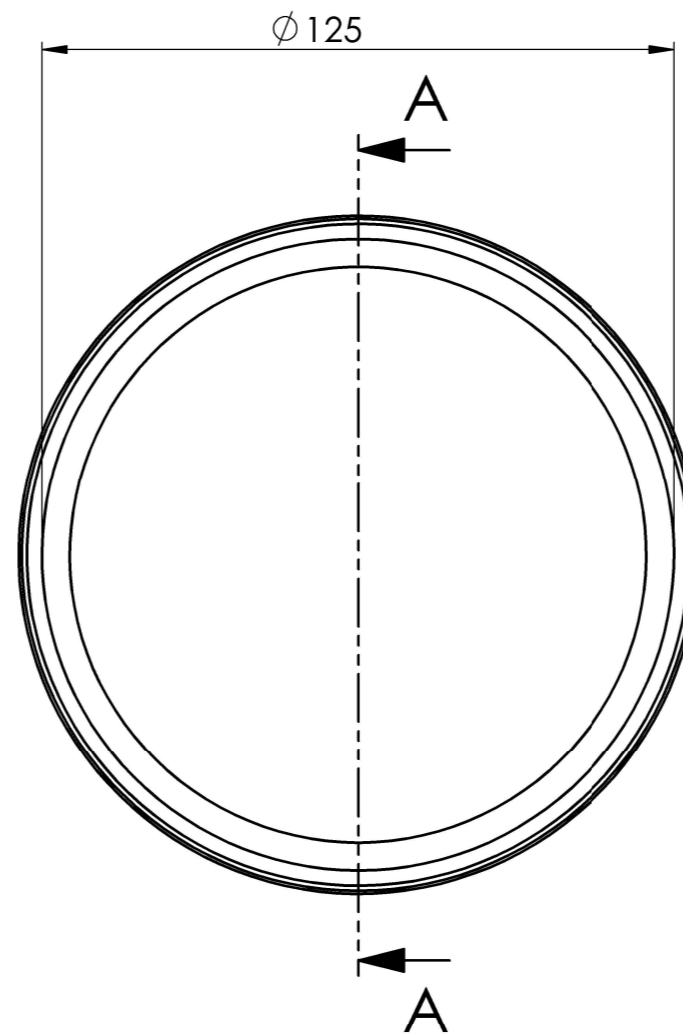


SECTION A-A



DESCRIPTION	HUMP HOSE - SILICONE
PART NUMBER	HO-120504-01
INDUSTRY REFERENCE	NA
APPLICATION	CHARGE AIR (INTERCOOLER) HOSE
WEIGHT (KG)	0.87

DO NOT SCALE DRAWING

