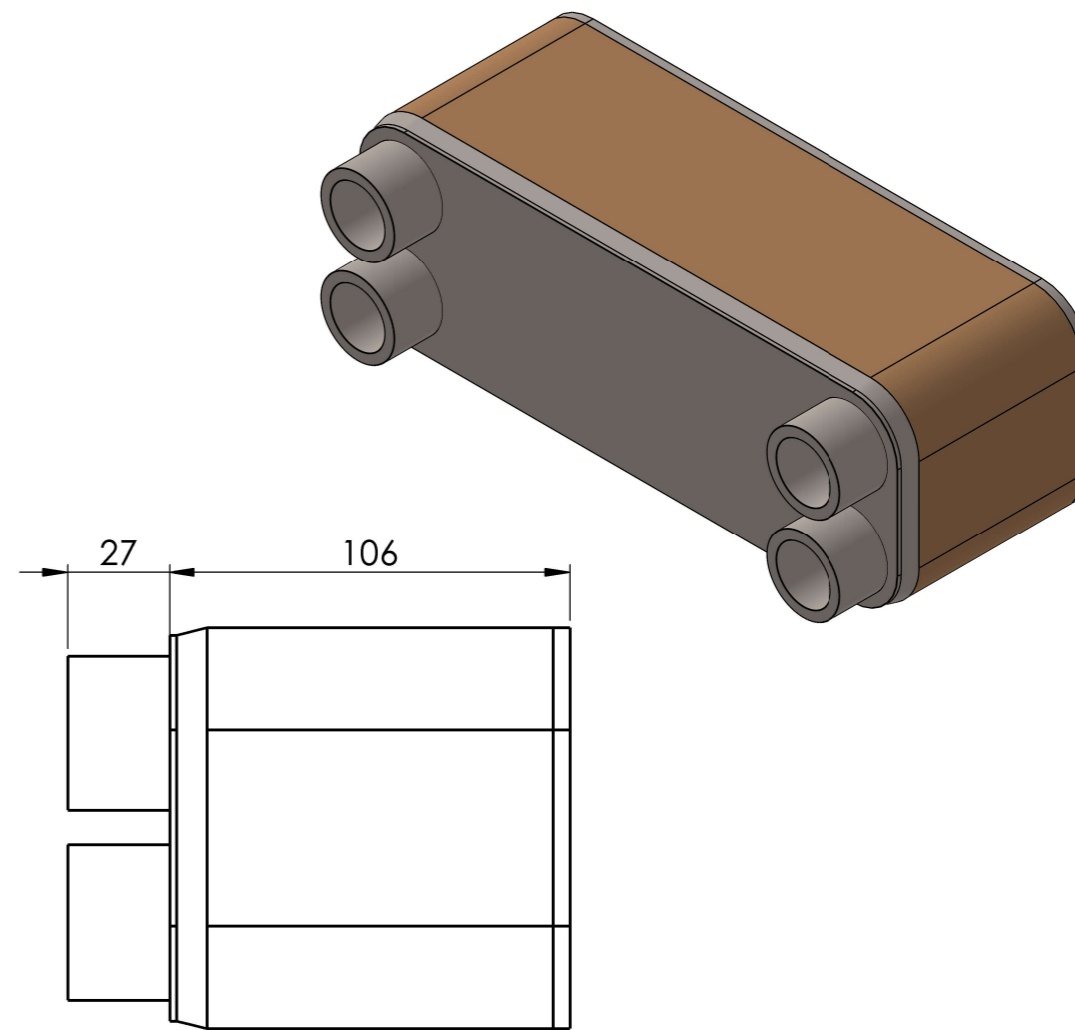
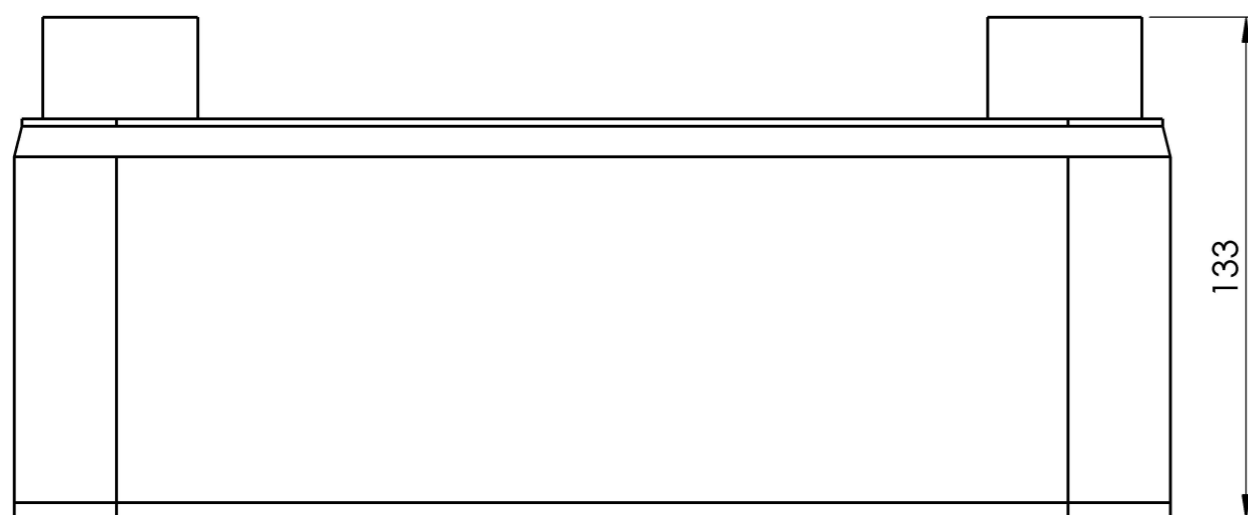


1" BSPP FEMALE



DESCRIPTION	BRAZED PLATE HEAT EXCHANGER
PART NUMBER	PXB300-40
INDUSTRY REFERENCE	HEX S610-40
APPLICATION	HVAC, HEAT PUMP, CHILLER, OIL COOLER, PROCESSING COOLING AND HEATING
WEIGHT (KG)	6.50

DO NOT SCALE DRAWING

