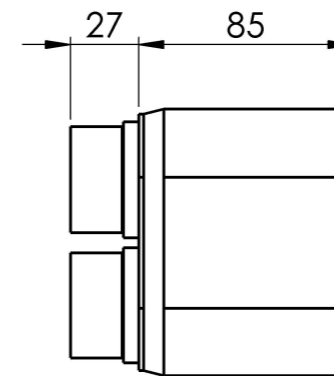
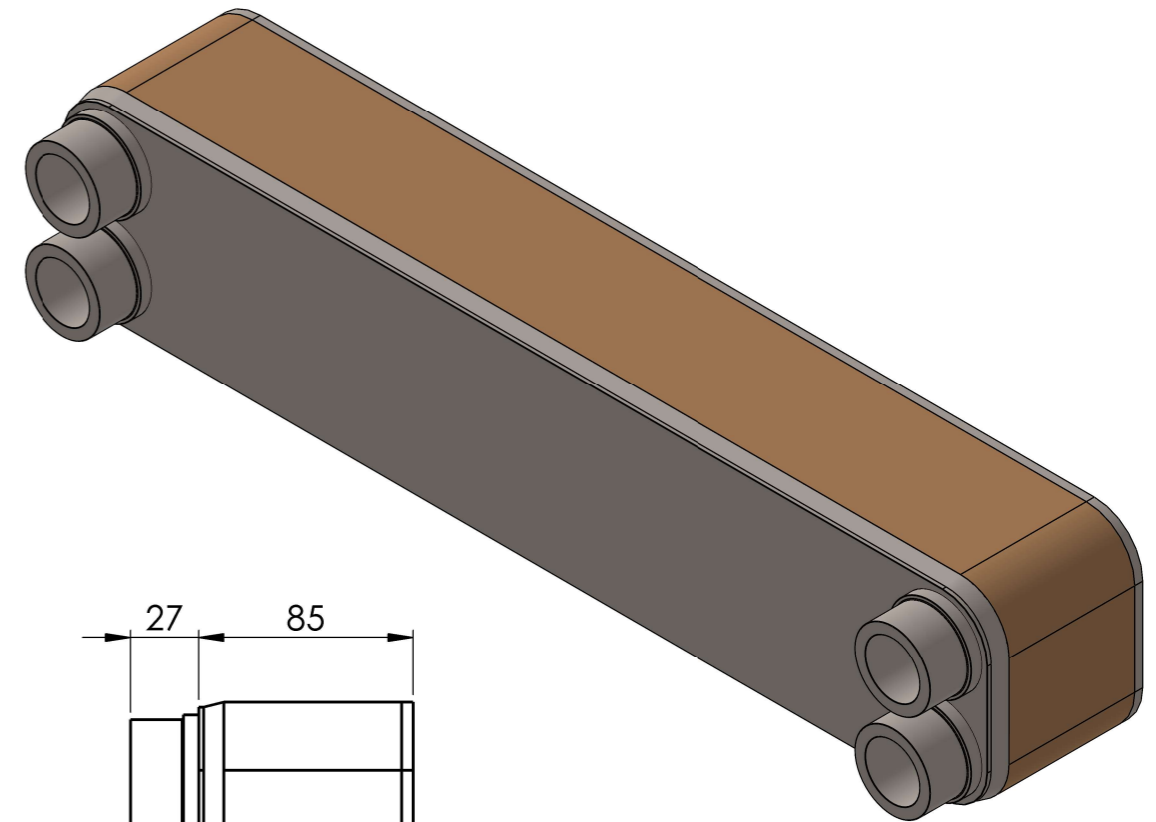
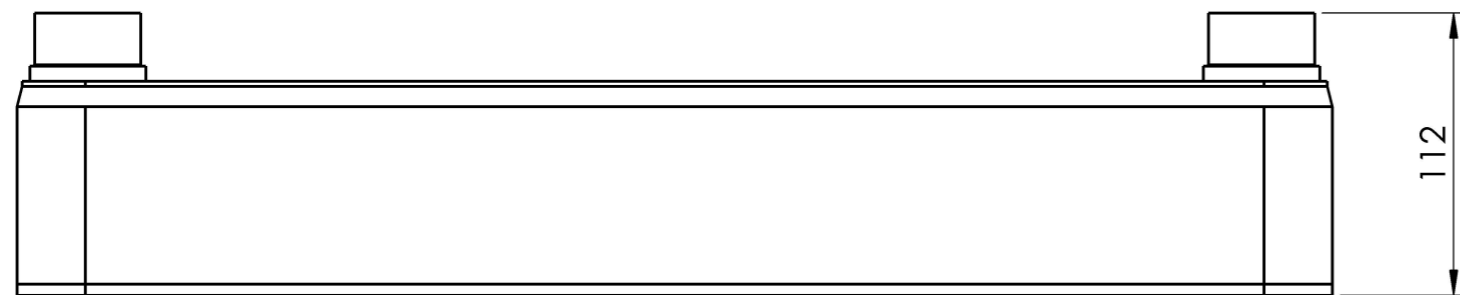


1" BSPP FEMALE



<b>DESCRIPTION</b>	BRAZED PLATE HEAT EXCHANGER
<b>PART NUMBER</b>	PXB500-30
<b>INDUSTRY REFERENCE</b>	HEX S615-30
<b>APPLICATION</b>	HVAC, HEAT PUMP, CHILLER, OIL COOLER, PROCESSING COOLING AND HEATING
<b>WEIGHT (KG)</b>	10.50

DO NOT SCALE DRAWING

