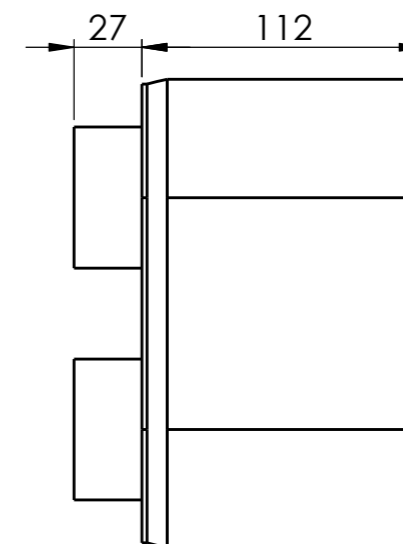
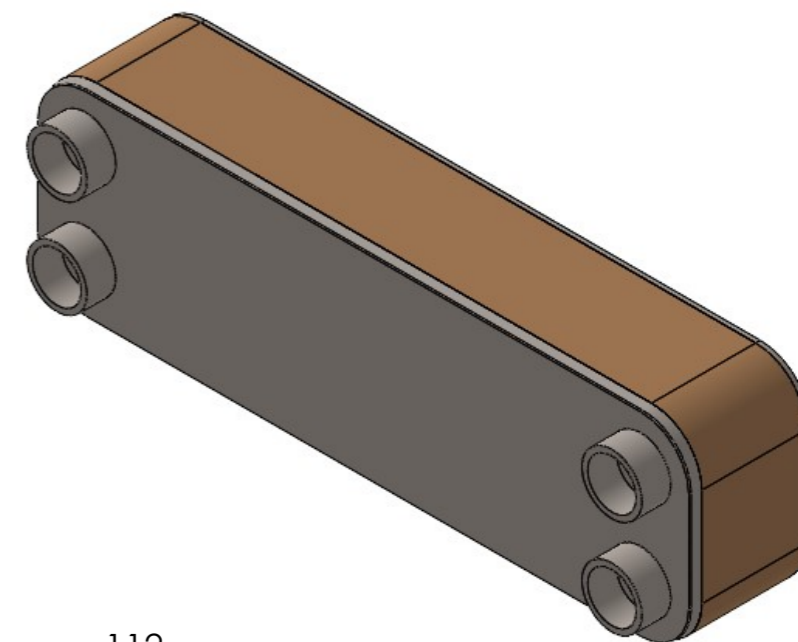
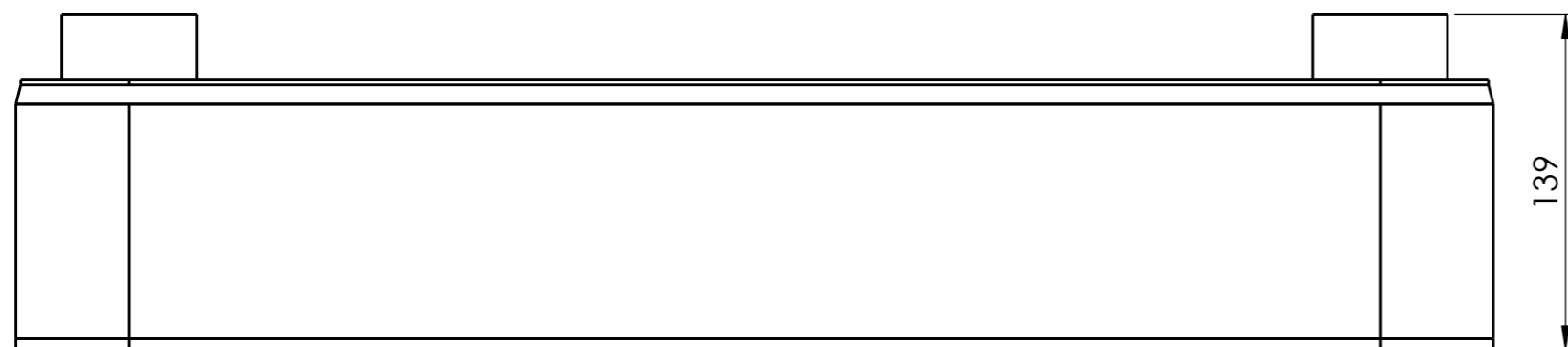


1-1/2" BSPP FEMALE



DESCRIPTION	BRAZED PLATE HEAT EXCHANGER
PART NUMBER	PXB600-40
INDUSTRY REFERENCE	HEX S722
APPLICATION	HVAC, HEAT PUMP, CHILLER, OIL COOLER, PROCESSING COOLING AND HEATING
WEIGHT (KG)	24.00

DO NOT SCALE DRAWING

